



# ADAPTOR

Ex db, Ex eb, Ex tb, Ex nR, IP65/66/68

for General Industrial and Hazardous Area Installations

## Features and Benefits

- Precision manufactured from high quality Brass (Marine Grade Electroless Nickel Plated™) available in stainless steel 316/316L on request.
- Converts mismatching threads to the required thread.



## Technical Data

Type:	Adaptor
Material:	Brass (Marine Grade Electroless Nickel Plated™), Stainless Steel 316/316L
Gasket material:	Standard HDPE or Extreme Temp. PTFE
Note:	The installer should check that the materials are suitable for the installation environment.

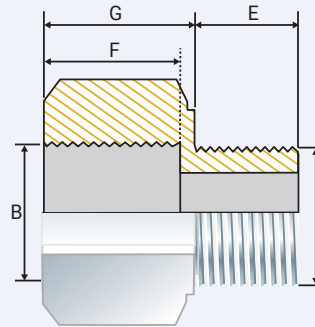
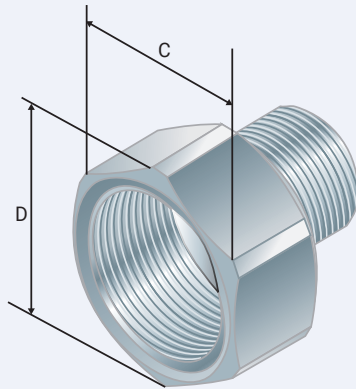
## Standards and Certifications

Equipment Protection Levels:	IECEX: Ex db I Mb / Ex eb I Mb / Ex db IIC Gb / Ex eb IIC Gb / Ex tb IIIC Db / Ex nR IIC ATEX: Ⓜ I M2 Ex db I Mb / Ex eb I Mb, II 2 GD Ex db IIC Gb / Ex eb IIC Gb / Ex tb IIIC Db TR CU: 1Ex d IIC Gb X / PB Ex d I Mb X / 1Ex e IIC Gb X / PΠ Ex e I Mc X / Ex tb IIIC Db X	
Conformance:	Standard:	Certificate:
IECEX	IEC 60079 Part 0, 1, 7, 15, 31 IEC 60079 Part 0, 1, 7, 31	IECEX CML 16.0062X IECEX ITA 13.0005X CML15ATEX1040X
ATEX	EN 60079 Part 0, 1, 7, 31	TÜV 15.0485X TC RU C-ZA.ME92.B.00695
INMETRO (Brazil)	ABNT NBR IEC 60079 Part 0, 1, 7, 31	
TR CU (Russia)	ГОСТ Р М3К 60079-0, 7, 31 ГОСТ IEC 60079-1	
KCS (Korea)	Notification of Ministry of Labour No. 2013-54	16-AV4BO-0439-42X
SANS/IEC	IEC 60079 Parts 0, 1, 7, 31 IEC 60529	MASC MS/13-594X
IP66/68 - Parallel	IEC 60529	CML15Y728
IP65/66 - Tapered	IEC 60529	
Deluge Protection	DTS-01	CML 14CA370-2
Corrosion Protection	ASTM B117-11, BS EN ISO 3231	EXOVA N968667
Marine ABS	IEC 60079 Parts 0, 1, 7, 15, 31 and IEC 60529	ABS 14-SG1216922-PDA
DNV-GL	IEC 60079 Parts 0, 1, 7 and IEC 60529	DNV-GL TAE0000010 and DNV-GL TAE000000Z
ClassNK	IEC 60079 Part 0, 1, 7, 15, 31	TA20272M
London Underground Approval	BS EN 62444	LU 3043, LU 3044

## Conditions and limitations for Safe Use - X

- An IP rating of IP66/68 is maintained for units with parallel threads when used with the supplied washer and for units with tapered thread when thread sealant is conducted as indicated in IEC60079-14. Alternatively an IP65 rating is applicable.
- A service temperature range of between -20°C and +95°C (standard gasket) or -60°C to +160°C (extreme temp. gasket) is applicable if the gaskets are utilized to maintain an IP rating IP65/66/68 2m cont.
- A blanking element may not be installed on an Adaptor.
- When the equipment with metric male thread and with the sealing washer fitted is intended for use / interface in threaded holes in a flame-proof enclosure the applicable thread engagement must be achieved after the washer has been fitted. Thread engagement shall be at least five full threads.





Hex Across Flats and Hex Across Corners can be bigger but never smaller.

## METRIC TO NPT

Product Code	Male Metric Thread "A"	Female NPT Thread "B"	Hex Across Flats Min "C"	Hex Across Corners Min "D"	Male Thread Length Min "E"	Female Thread Depth Min "F"	Hex Length Max "G"
AM016N012	M16	½ NPT	27.0	30.4	15.0	15.0	21.0
AM016N034	M16	¾ NPT	27.0	30.4	15.0	15.0	21.0
AM020N012	M20	½ NPT	27.0	30.4	15.0	15.0	21.0
AM020N034	M20	¾ NPT	32.0	36.0	15.0	15.0	21.0
AM020N001	M20	1 NPT	32.0	36.0	15.0	18.0	24.0
AM025N034	M25	¾ NPT	32.0	36.0	15.0	15.0	21.0
AM025N001	M25	1 NPT	38.0	42.8	15.0	18.0	24.0
AM025N114	M25	1½ NPT	38.0	42.8	15.0	19.0	25.0
AM032N001	M32	1 NPT	38.0	42.8	15.0	18.0	24.0
AM032N114	M32	1½ NPT	50.0	56.3	15.0	19.0	25.0
AM032N112	M32	1½ NPT	50.0	56.3	15.0	19.0	25.0
AM040N114	M40	1½ NPT	50.0	56.3	15.0	19.0	25.0
AM040N112	M40	1½ NPT	55.0	61.9	15.0	19.0	25.0
AM040N002	M40	2 NPT	55.0	61.9	15.0	19.0	25.0
AM050N112	M50	1½ NPT	55.0	61.9	15.0	19.0	25.0
AM050N002	M50	2 NPT	70.0	78.8	15.0	19.0	25.0
AM050N212	M50	2½ NPT	70.0	78.8	15.0	25.0	31.0
AM063N002	M63	2 NPT	70.0	78.8	15.0	19.0	25.0
AM063N212	M63	2½ NPT	80.0	90.0	15.0	25.0	31.0
AM063N003	M63	3 NPT	80.0	90.0	15.0	27.0	33.0
AM075N212	M75	2½ NPT	80.0	90.0	15.0	25.0	31.0
AM075N003	M75	3 NPT	102.0	112.5	15.0	27.0	33.0
AM075N312	M75	3½ NPT	102.0	112.5	15.0	29.0	35.0
AM080N003	M80	3 NPT	102.0	112.5	20.0	27.0	33.0
AM080N312	M80	3½ NPT	102.0	123.8	20.0	29.0	35.0
AM080N004	M80	4 NPT	111.0	123.8	20.0	29.0	35.0
AM090N312	M90	3½ NPT	111.0	123.8	20.0	29.0	35.0
AM090N004	M90	4 NPT	115.0	129.4	20.0	29.0	35.0
AM100N004	M100	4 NPT	115.0	129.4	20.0	29.0	35.0

All dimensions except NPT are in mm.

## METRIC TO METRIC

Product Code	Male Metric Thread "A"	Female Metric Thread "B"	Hex Across Flats Min "C"	Hex Across Corners Min "D"	Male Thread Length Min "E"	Female Thread Depth Min "F"	Hex Length Max "G"
AM016M016	M16	M16	27.0	30.4	15.0	15.0	21.0
AM016M020	M16	M20	27.0	30.4	15.0	15.0	21.0
AM016M025	M16	M25	27.0	30.4	15.0	15.0	21.0
AM020M020	M20	M20	32.0	36.0	15.0	15.0	21.0
AM020M025	M20	M25	32.0	36.0	15.0	15.0	21.0
AM020M032	M20	M32	32.0	36.0	15.0	15.0	21.0
AM025M025	M25	M25	32.0	36.0	15.0	15.0	21.0
AM025M032	M25	M32	38.0	42.8	15.0	15.0	21.0
AM025M040	M25	M40	38.0	42.8	15.0	15.0	21.0
AM032M032	M32	M32	38.0	42.8	15.0	15.0	21.0
AM032M040	M32	M40	50.0	56.3	15.0	15.0	21.0
AM032M050	M32	M50	50.0	56.3	15.0	15.0	21.0
AM040M040	M40	M40	50.0	56.3	15.0	15.0	21.0
AM040M050	M40	M50	60.0	67.5	15.0	15.0	21.0
AM040M063	M40	M63	60.0	67.5	15.0	15.0	21.0
AM050M050	M50	M50	60.0	67.5	15.0	15.0	21.0
AM050M063	M50	M63	70.0	78.8	15.0	15.0	21.0
AM050M075	M50	M75	70.0	78.8	15.0	15.0	21.0
AM063M063	M63	M63	70.0	78.8	15.0	15.0	21.0
AM063M075	M63	M75	80.0	90.0	15.0	15.0	21.0
AM063M080	M63	M80	80.0	90.0	15.0	20.0	26.0
AM075M075	M75	M75	80.0	90.0	15.0	15.0	21.0
AM075M080	M75	M80	90.0	101.3	15.0	20.0	26.0
AM075M090	M75	M90	90.0	101.3	15.0	20.0	26.0
AM080M080	M80	M80	96.0	108.0	20.0	20.0	26.0
AM080M090	M80	M90	96.0	108.0	20.0	20.0	26.0
AM080M100	M80	M100	96.0	108.0	20.0	20.0	26.0
AM090M090	M90	M90	111.0	124.9	20.0	20.0	26.0
AM090M100	M90	M100	111.0	124.9	20.0	20.0	26.0
AM100M100	M100	M100	111.0	124.9	20.0	20.0	26.0

All dimensions are in mm.

## SIZE REFERENCE

Metric Size Reference	NPT Size Reference	BSP Size Reference
M16 x 1.5	-	-
M20 x 1.5	½ / ¾	½ / ¾
M25 x 1.5	¾ / 1	¾ / 1
M32 x 1.5	1 / 1¼	1 / 1¼
M40 x 1.5	1¼ / 1½	1¼ / 1½
M50 x 1.5	1½ / 2	1½ / 2
M63 x 1.5	2 / 2½	2 / 2½
M63 x 1.5	2 / 2½	2 / 2½
M75 x 1.5	2½ / 3	2½ / 3
M75 x 1.5	2½ / 3	2½ / 3
M80 x 2.0	3	3
M90 x 2.0	3 / 3½	3 / 3½
M100 x 2.0	3½ / 4	3½ / 4
M115 x 2.0	4	4
M120 x 2.0	-	-

## METRIC TO BSP

Product Code	Male Metric Thread "A"	Female BSP Thread "B"	Hex Across Flats Min "C"	Hex Across Corners Min "D"	Male Thread Length Min "E"	Female Thread Depth Min "F"	Hex Length Max "G"
AM016B012	M16	½ BSP	27.0	30.4	15.0	16.0	22.0
AM016B034	M20	¾ BSP	27.0	30.4	15.0	16.0	22.0
AM020B012	M20	½ BSP	27.0	30.4	15.0	16.0	22.0
AM020B034	M20	¾ BSP	32.0	36.0	15.0	16.0	22.0
AM020B001	M20	1 BSP	32.0	36.0	15.0	18.0	24.0
AM025B034	M25	¾ BSP	32.0	36.0	15.0	16.0	22.0
AM025B001	M25	1 BSP	38.0	42.8	15.0	18.0	24.0
AM025B114	M25	1½ BSP	38.0	42.8	15.0	18.0	24.0
AM032B001	M32	1 BSP	38.0	42.8	15.0	18.0	24.0
AM032B114	M32	1½ BSP	50.0	56.3	15.0	18.0	24.0
AM032B112	M32	1½ BSP	50.0	56.3	15.0	18.0	24.0
AM040B114	M40	1½ BSP	50.0	56.3	15.0	18.0	24.0
AM040B112	M40	1½ BSP	60.0	67.5	15.0	18.0	24.0
AM040B002	M50	2 BSP	60.0	67.5	15.0	18.0	24.0
AM050B112	M50	1½ BSP	60.0	67.5	15.0	18.0	24.0
AM050B002	M50	2 BSP	70.0	78.8	15.0	18.0	24.0
AM050B212	M50	2½ BSP	70.0	78.8	15.0	18.0	24.0
AM063B002	M63	2 BSP	70.0	78.8	15.0	18.0	24.0
AM063B212	M63	2½ BSP	80.0	90.0	15.0	18.0	24.0
AM063B003	M63	3 BSP	80.0	90.0	15.0	18.0	24.0
AM075B212	M75	2½ BSP	80.0	90.0	15.0	18.0	24.0
AM075B003	M75	3 BSP	102.0	112.5	15.0	18.0	24.0
AM075B312	M75	3½ BSP	102.0	112.5	15.0	18.0	24.0
AM080B003	M80	3 BSP	102.0	112.5	20.0	18.0	24.0
AM080B312	M80	3½ BSP	111.0	123.8	20.0	18.0	24.0
AM080B004	M80	4 BSP	111.0	123.8	20.0	18.0	24.0
AM090B312	M90	3½ BSP	111.0	123.8	20.0	18.0	24.0
AM090B004	M90	4 BSP	125.0	135.0	20.0	18.0	24.0
AM100B004	M100	4 BSP	125.0	135.0	20.0	18.0	24.0

All dimensions except BSP are in mm.

## NPT TO METRIC

Product Code	Male NPT Thread "A"	Female Metric Thread "B"	Hex Across Flats Min "C"	Hex Across Corners Min "D"	Male Thread Length Min "E"	Female Thread Depth Min "F"	Hex Length Max "G"
AN012M020	½ NPT	M20	27.0	30.4	15.0	15.0	21.0
AN012M025	½ NPT	M25	32.0	36.0	15.0	15.0	21.0
AN012M032	½ NPT	M32	32.0	36.0	15.0	15.0	21.0
AN034M025	¾ NPT	M25	32.0	36.0	15.0	15.0	21.0
AN034M032	¾ NPT	M32	38.0	42.8	15.0	15.0	21.0
AN034M040	¾ NPT	M40	38.0	42.8	15.0	15.0	21.0
AN001M032	1 NPT	M32	38.0	42.8	19.0	15.0	21.0
AN001M040	1 NPT	M40	50.0	56.3	19.0	15.0	21.0
AN001M050	1 NPT	M50	50.0	56.3	19.0	15.0	21.0
AN114M040	1½ NPT	M40	50.0	56.3	19.0	15.0	21.0
AN114M050	1½ NPT	M50	60.0	67.5	19.0	15.0	21.0
AN114M063	1½ NPT	M63	60.0	67.5	19.0	15.0	21.0
AN112M050	1½ NPT	M50	60.0	67.5	21.0	15.0	21.0
AN112M063	1½ NPT	M63	70.0	78.8	21.0	15.0	21.0
AN112M075	1½ NPT	M75	70.0	78.8	21.0	15.0	21.0
AN002M063	2 NPT	M63	70.0	78.8	21.0	15.0	21.0
AN002M075	2 NPT	M75	80.0	90.0	21.0	15.0	21.0
AN002M080	2 NPT	M80	80.0	90.0	21.0	20.0	26.0
AN212M075	2½ NPT	M75	80.0	90.0	30.0	15.0	21.0
AN212M080	2½ NPT	M80	90.0	101.3	30.0	20.0	26.0
AN212M090	2½ NPT	M90	90.0	101.3	30.0	20.0	26.0
AN003M080	3 NPT	M80	90.0	101.3	32.0	20.0	26.0
AN003M090	3 NPT	M90	90.0	101.3	32.0	20.0	26.0
AN003M100	3 NPT	M100	90.0	101.3	32.0	20.0	26.0
AN312M090	3½ NPT	M90	102.0	114.8	33.0	20.0	26.0
AN312M100	3½ NPT	M100	102.0	114.8	33.0	20.0	26.0
AN004M100	4 NPT	M100	115.0	129.4	34.0	20.0	26.0

All dimensions except NPT are in mm.

## BSP TO METRIC

Product Code	Male BSP Thread "A"	Female Metric Thread "B"	Hex Across Flats Min "C"	Hex Across Corners Min "D"	Male Thread Length Min "E"	Female Thread Depth Min "F"	Hex Length Max "G"
AB012M020	½ BSP	M20	27.0	30.4	16.0	15.0	21.0
AB012M025	½ BSP	M25	32.0	36.0	16.0	15.0	21.0
AB012M032	½ BSP	M32	32.0	36.0	16.0	15.0	21.0
AB034M025	¾ BSP	M25	32.0	36.0	16.0	15.0	21.0
AB034M032	¾ BSP	M32	38.0	42.8	16.0	15.0	21.0
AB034M040	¾ BSP	M40	38.0	42.8	16.0	15.0	21.0
AB001M032	1 BSP	M32	38.0	42.8	18.0	15.0	21.0
AB001M040	1 BSP	M40	52.0	56.3	18.0	15.0	21.0
AB001M050	1 BSP	M50	55.0	56.3	18.0	15.0	21.0
AB114M040	1½ BSP	M40	52.0	56.3	18.0	15.0	21.0
AB114M050	1½ BSP	M50	60.0	67.5	18.0	15.0	21.0
AB114M063	1½ BSP	M63	70.0	67.5	18.0	15.0	21.0
AB112M050	1½ BSP	M50	55.0	67.5	18.0	15.0	21.0
AB112M063	1½ BSP	M63	70.0	78.8	18.0	15.0	21.0
AB112M075	1½ BSP	M75	80.0	78.8	18.0	15.0	21.0
AB002M063	2 BSP	M63	70.0	78.8	18.0	15.0	21.0
AB002M075	2 BSP	M75	80.0	90.0	18.0	15.0	21.0
AB002M080	2 BSP	M80	85.0	90.0	18.0	20.0	26.0
AB212M075	2½ BSP	M75	80.0	90.0	18.0	15.0	21.0
AB212M080	2½ BSP	M80	90.0	101.3	18.0	20.0	26.0
AB212M090	2½ BSP	M90	96.0	101.3	18.0	20.0	26.0
AB003M080	3 BSP	M80	90.0	101.3	18.0	20.0	26.0
AB003M090	3 BSP	M90	102.0	112.5	18.0	20.0	26.0
AB003M100	3 BSP	M100	111.0	112.5	18.0	20.0	26.0
AB312M090	3½ BSP	M90	102.0	112.5	18.0	20.0	26.0
AB312M100	3½ BSP	M100	111.0	124.9	18.0	20.0	26.0
AB004M090	4 BSP	M90	111.0	124.9	18.0	20.0	26.0
AB004M100	4 BSP	M100	111.0	124.9	18.0	20.0	26.0

All dimensions except BSP are in mm.

## NPT TO NPT

Product Code	Male NPT Thread "A"	Female NPT Thread "B"	Hex Across Flats Min "C"	Hex Across Corners Min "D"	Male Thread Length Min "E"	Female Thread Depth Min "F"	Hex Length Max "G"
AN012N012	½ NPT	½ NPT	27.0	30.4	15.0	15.0	21.0
AN012N034	½ NPT	¾ NPT	32.0	36.0	15.0	15.0	21.0
AN012N001	½ NPT	1 NPT	32.0	36.0	15.0	18.0	24.0
AN034N034	¾ NPT	¾ NPT	32.0	36.0	15.0	15.0	21.0
AN034N001	¾ NPT	1 NPT	38.0	42.8	15.0	18.0	24.0
AN034N114	¾ NPT	1¼ NPT	38.0	42.8	15.0	19.0	25.0
AN001N001	1 NPT	1 NPT	38.0	42.8	19.0	18.0	24.0
AN001N114	1 NPT	1¼ NPT	50.0	56.3	19.0	19.0	25.0
AN001N112	1 NPT	1½ NPT	50.0	56.3	19.0	19.0	25.0
AN114N114	1½ NPT	1½ NPT	50.0	56.3	19.0	19.0	25.0
AN114N112	1½ NPT	1½ NPT	60.0	67.5	19.0	19.0	25.0
AN114N002	1½ NPT	2 NPT	60.0	67.5	19.0	19.0	25.0
AN112N112	1½ NPT	1½ NPT	60.0	67.5	21.0	19.0	25.0
AN112N002	1½ NPT	2 NPT	70.0	78.8	21.0	19.0	25.0
AN112N212	1½ NPT	2½ NPT	70.0	78.8	21.0	25.0	31.0
AN002N002	2 NPT	2 NPT	70.0	78.8	21.0	19.0	25.0
AN002N212	2 NPT	2½ NPT	80.0	90.0	21.0	25.0	31.0
AN002N003	2 NPT	3 NPT	80.0	90.0	21.0	27.0	33.0
AN212N212	2½ NPT	2½ NPT	80.0	90.0	30.0	25.0	31.0
AN212N003	2½ NPT	3 NPT	102.0	112.5	30.0	27.0	33.0
AN212N312	2½ NPT	3½ NPT	102.0	112.5	30.0	29.0	35.0
AN003N003	3 NPT	3 NPT	102.0	112.5	32.0	27.0	33.0
AN003N312	3 NPT	3½ NPT	102.0	123.8	32.0	29.0	35.0
AN003N004	3 NPT	4 NPT	111.0	123.8	32.0	29.0	35.0
AN312N312	3½ NPT	3½ NPT	111.0	123.8	33.0	29.0	35.0
AN312N004	3½ NPT	4 NPT	125.0	135.0	33.0	29.0	35.0
AN004N004	4 NPT	4 NPT	125.0	135.0	34.0	29.0	35.0

All dimensions except NPT are in mm.

## BSP TO NPT

Product Code	Male BSP Thread "A"	Female NPT Thread "B"	Hex Across Flats Min "C"	Hex Across Corners Min "D"	Male Thread Length Min "E"	Female Thread Depth Min "F"	Hex Length Max "G"
AB012N012	½ BSP	½ NPT	27.0	30.4	16.0	15.0	21.0
AB012N034	½ BSP	¾ NPT	32.0	36.0	16.0	15.0	21.0
AB012N001	½ BSP	1 NPT	32.0	36.0	16.0	18.0	24.0
AB034N034	¾ BSP	¾ NPT	32.0	36.0	16.0	15.0	21.0
AB034N001	¾ BSP	1 NPT	38.0	42.8	16.0	18.0	24.0
AB034N114	¾ BSP	1¼ NPT	38.0	42.8	16.0	19.0	25.0
AB001N001	1 BSP	1 NPT	38.0	42.8	18.0	18.0	24.0
AB001N114	1 BSP	1¼ NPT	50.0	56.3	18.0	19.0	25.0
AB001N112	1 BSP	1½ NPT	50.0	56.3	18.0	19.0	25.0
AB114N114	1½ BSP	1½ NPT	50.0	56.3	18.0	19.0	25.0
AB114N112	1½ BSP	1½ NPT	50.0	56.3	18.0	19.0	25.0
AB114N002	1½ BSP	2 NPT	50.0	56.3	18.0	19.0	25.0
AB112N112	1½ BSP	1½ NPT	50.0	56.3	18.0	19.0	25.0
AB112N002	1½ BSP	2 NPT	70.0	78.8	18.0	19.0	25.0
AB112N212	1½ BSP	2½ NPT	70.0	78.8	18.0	25.0	31.0
AB002N002	2 BSP	2 NPT	70.0	78.8	18.0	19.0	25.0
AB002N212	2 BSP	2½ NPT	80.0	90.0	18.0	25.0	31.0
AB002N003	2 BSP	3 NPT	80.0	90.0	18.0	27.0	33.0
AB212N212	2½ BSP	2½ NPT	80.0	90.0	18.0	25.0	31.0
AB212N003	2½ BSP	3 NPT	102.0	112.5	18.0	27.0	33.0
AB212N312	2½ BSP	3½ NPT	102.0	112.5	18.0	29.0	35.0
AB003N003	3 BSP	3 NPT	102.0	112.5	18.0	27.0	33.0
AB003N312	3 BSP	3½ NPT	111.0	123.8	18.0	29.0	35.0
AB003N004	3 BSP	4 NPT	111.0	123.8	18.0	29.0	35.0
AB312N312	3½ BSP	3½ NPT	111.0	123.8	18.0	29.0	35.0
AB312N004	3½ BSP	4 NPT	125.0	135.0	18.0	29.0	35.0
AB004N004	4 BSP	4 NPT	125.0	135.0	18.0	29.0	35.0

All dimensions except BSP and NPT are in mm.

## NPT TO BSP

Product Code	Male NPT Thread "A"	Female BSP Thread "B"	Hex Across Flats Min "C"	Hex Across Corners Min "D"	Male Thread Length Min "E"	Female Thread Depth Min "F"	Hex Length Max "G"
AN012B012	½ NPT	½ BSP	27.0	30.4	15.0	16.0	22.0
AN012B034	½ NPT	¾ BSP	32.0	36.0	15.0	16.0	22.0
AN012B001	½ NPT	1 BSP	32.0	36.0	15.0	18.0	24.0
AN034B034	¾ NPT	¾ BSP	32.0	36.0	15.0	16.0	22.0
AN034B001	¾ NPT	1 BSP	38.0	42.8	15.0	18.0	24.0
AN034B114	¾ NPT	1¼ BSP	38.0	42.8	15.0	18.0	24.0
AN001B001	1 NPT	1 BSP	38.0	42.8	19.0	18.0	24.0
AN001B114	1 NPT	1¼ BSP	50.0	56.3	19.0	18.0	24.0
AN001B112	1 NPT	1½ BSP	50.0	56.3	19.0	18.0	24.0
AN114B114	1½ NPT	1½ BSP	50.0	56.3	19.0	18.0	24.0
AN114B112	1½ NPT	1½ BSP	60.0	67.5	19.0	18.0	24.0
AN114B002	1½ NPT	2 BSP	60.0	67.5	19.0	18.0	24.0
AN112B112	1½ NPT	1½ BSP	60.0	67.5	21.0	18.0	24.0
AN112B002	1½ NPT	2 BSP	70.0	78.8	21.0	18.0	24.0
AN112B212	1½ NPT	2½ BSP	70.0	78.8	21.0	18.0	24.0
AN002B002	2 NPT	2 BSP	70.0	78.8	21.0	18.0	24.0
AN002B212	2 NPT	2½ BSP	80.0	90.0	21.0	18.0	24.0
AN002B003	2 NPT	3 BSP	80.0	90.0	21.0	18.0	24.0
AN212B212	2½ NPT	2½ BSP	80.0	90.0	30.0	18.0	24.0
AN212B003	2½ NPT	3 BSP	96.0	104.6	30.0	18.0	24.0
AN212B312	2½ NPT	3½ BSP	96.0	104.6	30.0	18.0	24.0
AN003B003	3 NPT	3 BSP	96.0	104.6	32.0	18.0	24.0
AN003B312	3 NPT	3½ BSP	102.0	123.8	32.0	18.0	24.0
AN003B004	3 NPT	4 BSP	102.0	123.8	32.0	18.0	24.0
AN312B312	3½ NPT	3½ BSP	102.0	123.8	33.0	18.0	24.0
AN312B004	3½ NPT	4 BSP	125.0	135.0	33.0	18.0	24.0
AN004B004	4 NPT	4 BSP	125.0	135.0	34.0	18.0	24.0

All dimensions except NPT and BSP are in mm.

## BSP TO BSP

Product Code	Male BSP Thread "A"	Female BSP Thread "B"	Hex Across Flats Min "C"	Hex Across Corners Min "D"	Male Thread Length Min "E"	Female Thread Depth Min "F"	Hex Length Max "G"
AB012B012	½ BSP	½ BSP	27.0	30.4	16.0	16.0	22.0
AB012B034	½ BSP	¾ BSP	32.0	36.0	16.0	16.0	22.0
AB012B001	½ BSP	1 BSP	32.0	36.0	16.0	18.0	24.0
AB034B034	¾ BSP	¾ BSP					

## METRIC TO NPT/BSP, METRIC ADAPTOR SELECTION CHART

FEMALE MALE	METRIC ADAPTOR											BSP / NPT ADAPTOR									
	M16	M20	M25	M32	M40	M50	M63	M75	M80	M90	M100	½"	¾"	1"	1¼"	1½"	2"	2½"	3"	3½"	4"
M16	A	A	A									A	A								
M20		A	A	A								A	A	A							
M25			A	A	A								A	A	A						
M32				A	A	A								A	A	A					
M40					A	A	A								A	A	A				
M50						A	A	A								A	A	A			
M63							A	A	A								A	A	A		
M75								A	A	A								A	A	A	
M80									A	A	A								A	A	A
M90										A	A									A	A

## BSP/NPT TO METRIC, BSP/NPT ADAPTOR SELECTION CHART

FEMALE MALE	METRIC ADAPTOR											BSP / NPT ADAPTOR									
	M20	M25	M32	M40	M50	M63	M75	M80	M90	M100	½"	¾"	1"	1¼"	1½"	2"	2½"	3"	3½"	4"	
½"BSP/½"NPT	A	A	A									A	A	A							
¾"BSP/¾"NPT		A	A	A									A	A	A						
1"BSP/1"NPT			A	A	A									A	A	A					
1¼"BSP/1¼"NPT				A	A	A									A	A	A				
1½"BSP/1½"NPT					A	A	A									A	A	A			
2"BSP/2"NPT						A	A	A									A	A	A		
2½"BSP/2½"NPT							A	A	A									A	A	A	
3"BSP/3"NPT								A	A	A									A	A	A
3½"BSP/3½"NPT									A	A										A	A
4"BSP/4"NPT										A											A

## PRODUCT CODE STRUCTURE

1st Character denotes the type, A = Adaptor	2nd Character denotes the male thread - Metric, NPT or BSP	3rd to 5th Character denotes the size of the male thread	6th Character denotes the female thread - Metric, NPT, or BSP	7th to 9th Character denotes the size of female thread	10th Character denotes the classification - Conduit (S) or Ex (E)	Example Product Code
A	M	040	M	063	E	AM040M063E