

A2FX-R

Ex db I/IIC, Ex eb I/IIC, Ex ta IIIC, Ex nR IIC

DOUBLE COMPRESSION GLAND for Unarmoured Cable



Features and Benefits

- Passes the IECEx / ATEX / UKEX 100% pull test so no additional cable clamping is required.
- For indoor, outdoor, Group I, II, III, Zone 1, 2, 20, 21 and 22 hazardous areas.
- Fitted with two specially formulated elastomeric displacement seals, for dual redundancy and superior cable retention, explosion protection and IP rating.
- Precision manufactured from high quality brass (Marine Grade Electroless Nickel Plated™) available in aluminium or stainless steel 316/316L on request. (Note: Aluminium not suitable for Group I applications).
- Supplied with a thread sealing gasket (parallel threads only).



Technical Data

Type:	A2FX-R
Gland Material:	Brass (Marine Grade Electroless Nickel Plated™), Aluminium or Stainless Steel 316/316L
Seal Material:	Standard Thermoset Elastomer or Extreme Temperature Seals
Sealing Gasket Material:	HDPE, Nylon 66 or PTFE
Sealing Area:	Outer Sheath (may be used on cables with inner and outer sheaths)
Optional Accessories:	Adaptor, Reducer, Earth Tag, Locknut, Serrated Washer and Shroud
Note:	The installer should ensure that the materials are suitable for the installation environment

Standards and Certifications

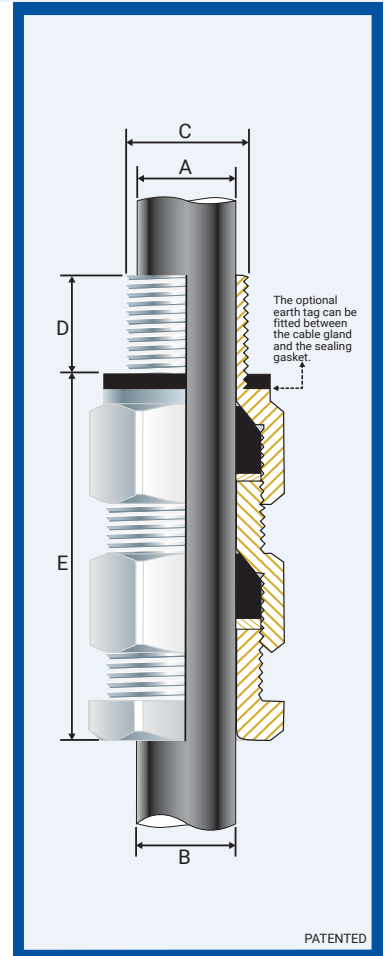
Equipment Protection Levels:	IECEX/INMETRO: Ex db eb I Mb, Ex db eb IIC Gb, Ex nR IIC Gc, Ex ta IIIC Da ATEX/UKEX: Ex I M2 Ex II 2/3G 1D, Ex db eb I Mb, Ex db eb IIC Gb, Ex nR IIC Gc, Ex ta IIIC Da TR CU: Ex d IIC Gb X / PB Ex d I Mb X / 1Ex e IIC Gb X / ПП Ex e I Mc X / 2Ex nR IIC Gc X / Ex tb IIIC Db X CCC: Ex db IIC Gb, Ex eb IIC Gb, Ex ta IIIC Da
Continuous Operating Temp:	Standard Seals: -60°C to +95°/100°C (HDPE / Nylon Sealing Gasket) Extreme Temp. Seals: -60°C to +160°C (PTFE Sealing Gasket)
Conformance:	Standard: IEC/BS EN 62444 Certificate: CML 14CA364
IEC/BS EN	IEC 60079 Part 0, 1, 7, 15, 31 EN 60079 Part 0, 1, 7, 31 EN 60079 Part 0, 15
IECEX	IECEX MSC 20.0002 CML 20ATEX1026 CML 22ATEX4116
ATEX	EN 60079 Part 0, 1, 7, 31 BS EN 60079 Part 0, 1, 7, 31 BS EN 60079 Part 0, 15
UKEX	CML 21UKEX1013 CML 22UKEX4117 TÜV 15.0483X
INMETRO (Brazil)	ABNT NBR IEC 60079 Part 0, 1, 7, 15, 31
TR CU (Russia)	ГОСТ 31610-0, 15, ГОСТ IEC 60079-1 ГОСТ P MЭК 60079-7, 31
EAЭC RU C-ZA.HA91.B.00245/21	EAЭC RU C-ZA.HA91.B.00245/21
CCC/CNEx (Chinese)	GB/T3836.1, 2, 3, 31-2021 CNEx 21.3389X CCC 2021312313000392
SANS	SANS/IEC 60079 Part 0, 1, 7, 15, 31 MASC S/20-9022X CML 15Y728
IP66/68 850m - Parallel	IEC 60529
IP65 - Tapered	IEC 60529
IP68 - Tapered and approved grease	IEC 60529
Deluge Protection	DTS-01
Corrosion Protection	ASTM B117-11, BS EN ISO 3231
Marine ABS	IEC 60079 Part 0, 1, 7, 15, 31, IEC 60529 ABS 20-1952706-1-PDA
DNV-GL	IEC 60079 Part 0, 1, 7, IEC 60529 DNV-GL TAE0000010



Conditions for Safe Use - X

None.

Note: According to IEC 60079-14, 10.6.2: An Ex d gland will only maintain Ex d integrity when used with substantially round, compact and filled cable. If not a CCG VORTEX® or QuickStop-Ex® barrier gland should be used.



PATENTED

Product Code	Gland Size Reference	Metric Entry Thread		NPT Entry Thread		Cable Detail		Max Length 'E'	Hexagonal Detail		Installation Torque Value Nm
		'C'	Min 'D'	'C'	Min 'D'	Min 'B'	Max 'B'		Max 'Flats'	Max 'Crns'	
057700-16S	00-16S	M16x1.5	15	-	-	1.0	4.0	46.0	24.0	27.0	32.5
057700-16	00-16ss	M16x1.5	15	-	-	3.0	8.5	46.0	24.0	27.0	32.5
057700	00-20ss	M20x1.5	15	1/2/3/4	15	3.0	8.5	46.0	24.0	27.0	32.5
0577-0-16	0-16s	M20x1.5	15	-	-	7.0	12.0	46.0	24.0	27.0	32.5
0577-0	0-20s	M20x1.5	15	1/2/3/4	15	7.0	12.0	46.0	24.0	27.0	32.5
057701	1-20	M20x1.5	15	3/4/1/2	15	11.0	14.0	54.0	27.0	30.0	32.5
057722	2s-25s	M25x1.5	15	3/4/1	15/19	11.5	17.5	54.0	35.0	39.0	47.5
057702	2-25	M25x1.5	15	3/4/1	15/19	15.0	20.0	54.0	35.0	39.0	47.5
057733	3s-32s	M32x1.5	15	1/1 1/4	19	16.0	22.0	58.0	42.0	47.0	55.0
057703	3-32	M32x1.5	15	1/1 1/4	19	20.0	26.5	58.0	42.0	47.0	55.0
057744	4s-40s	M40x1.5	15	1 1/4/1 1/2	19/21	22.0	31.5	66.0	52.0	59.0	65.0
057704	4-40	M40x1.5	15	1 1/4/1 1/2	19/21	26.0	34.0	66.0	52.0	59.0	65.0
057755	5s-50s	M50x1.5	15	1 1/2/2	21	29.0	38.0	82.0	65.0	73.0	82.5
057705	5-50	M50x1.5	15	1 1/2/2	21	34.0	44.5	82.0	65.0	73.0	82.5
057766	6s-63s	M63x1.5	15	2/2 1/2	21/30	38.0	50.0	92.0	80.0	90.0	97.5
057706	6-63	M63x1.5	15	2/2 1/2	21/30	44.5	56.5	92.0	80.0	90.0	97.5
057777	7s-75s	M75x1.5	15	2 1/2/3	30/32	50.0	62.0	94.0	96.0	108.0	115.5
057707	7-75	M75x1.5	15	2 1/2/3	30/32	56.0	67.5	94.0	96.0	108.0	115.5
057708	8-80	M80x2.0	20	3	32	54.0	69.0	116.0	96.0	108.0	120.0
057799	9s-90s	M90x2.0	20	3/3 1/2	32/33	60.0	75.0	119.0	111.0	125.0	120.0
057709	9-90	M90x2.0	20	3/3 1/2	32/33	73.0	81.5	119.0	111.0	125.0	120.0
057710	10-100	M100x2.0	20	3 1/2/4	33/34	81.0	92.0	119.0	125.0	141.0	120.0
057711	11-110	M110x2.0	20	4	34	91.0	101.0	128.0	135.0	152.0	175.0
057712	12-120	M120x2.0	20	-	-	101.0	109.0	135.0	140.0	158.0	175.0
057713	13-130	M130x2.0	20	-	-	109.0	116.0	135.0	146.0	164.0	175.0

All dimensions except NPT are in mm. Intermediate thread sizes are available on request. NPT threads should be tightened 'wrench tight'.

CCG reserves the right to make alterations to the technical data, dimensions, designs and products available without notice. The illustrations cannot be considered binding. Please contact CCG for assistance.

A2FXR-HMG280323E

A2FX-R COMPRESSION GLAND

ENCLOSURES AND EQUIPMENT TO WHICH CABLE GLANDS ARE FITTED:-

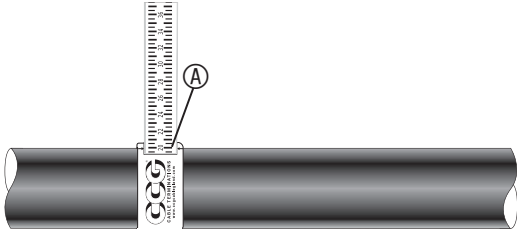
- Must be made from materials which are compatible with the cable gland materials.
- Have a sealing area around the cable gland entry point with a surface roughness <math>< Ra 6.3 \mu m</math>.
- Have entries that are perpendicular to the enclosure face in the area where the cable gland will seal to within 2.5° .
- Are sealed using the supplied sealing gasket (parallel threads) or by fully tightening into a threaded entry (tapered threads). Note that for tapered threads the IP rating can be improved to IP68 with the use of a suitable thread sealant.

MUST HAVE THREADED ENTRIES

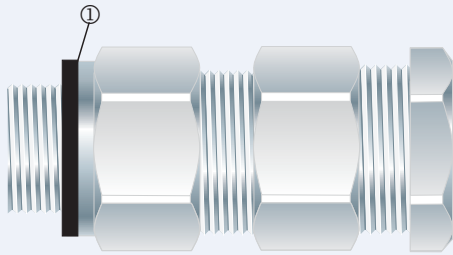
- The same thread size as the cable gland. (Thread adapters should be used to correct

any mismatch).

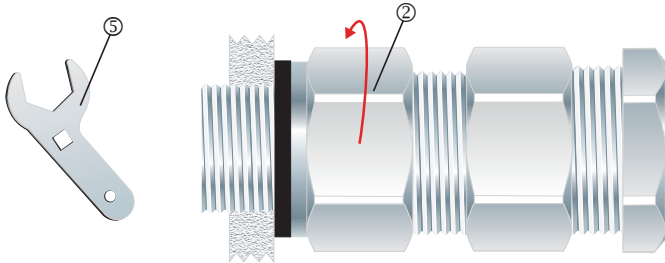
- With a thread tolerance of metric class '6H' or equivalent.
 - Where the thread length is a minimum of 10mm for Ex d applications or 3mm for all other applications
- OR CLEARANCE HOLES (not Ex d)**
- Where the hole size is the thread nominal size with a tolerance of +0.1 to +0.7mm. (e.g. the clearance hole for an M20 thread will have a diameter between 20.1mm and 20.7mm).
 - Through material that is between 1mm and 12mm thick. (Thicker materials can be accommodated using glands with extended entry threads.)



1. For accurate sizing, use a CCG Dimension Tape (A) on the outer cable sheath.

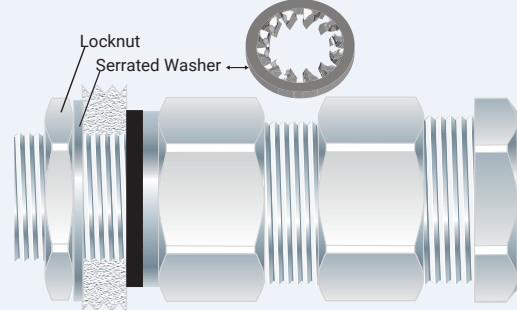


2. To maintain IP66/68, ensure the gasket (1) is in place.

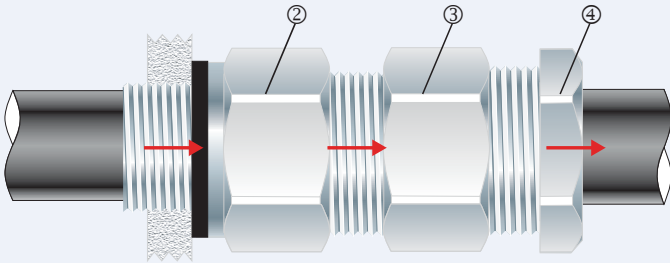


3. Screw the gland unit into the apparatus. Tighten the inner (2) to the installation torque using a CCG Spanner (5).

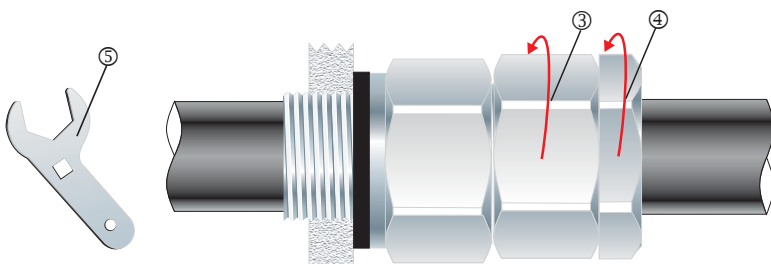
Alternative installation through an unthreaded entry.



If the apparatus is untapped use a locknut.



4. Pass the outer nut (4), body (3) and inner (2) (gland assembly) over the cable.



5. Tighten the body (3) to the installation torque using a CCG Spanner (5) to produce a seal and grip on the cable. Tighten the outer nut (4) to produce an additional seal and grip on the cable.