

# BOTTOM ENTRY SWITCH BOX

## IP66 - 16 Amp

### for General Industrial and Mining Electrical Installations



#### Features and Benefits

- Combined switch and junction box for lighting.
- For safer quicker maintenance of light fittings.
- Twin pole switch to break live and neutral circuits.
- Isolates each individual light.
- Visible red rotary switch.
- Padlock lockout facility for safety.
- Transparent IP66 cover to protect switch from grit and grime.
- 3-Metal threaded bottom gland entries.
- Rail mounted terminals or snap connectors available.



#### Technical Data

Type:	Bottom Entry Switch Box™		
Rated Amps:	16A		
Rated Voltage:	240V		
Service Temperature:	-10°C to +70°C		
Box Material:	UV Resistant Glass Reinforced Polyester		
Switch Material:	Metal and Bakelite Housing, UV Resistant ABS Handle		
Earthing Material:	Nickel Plated Brass Inserts and Earth Plate		
Optional Accessories:	Certified Terminals, 3-Blanking Plugs and Box Spanner (Lid Locking Key)		

#### Standards and Certifications

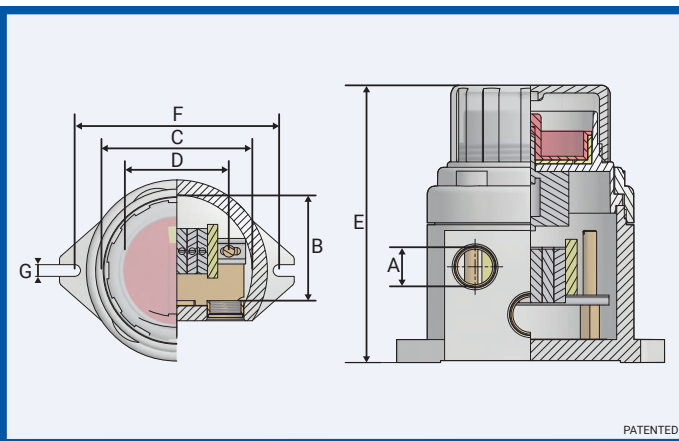
Low Voltage:	IEC 60947-3	
Air-Break Switch:	AS/NZS 3133	0619CCGA1202_3133
IP66:	IEC 60529	MASC 17-1832



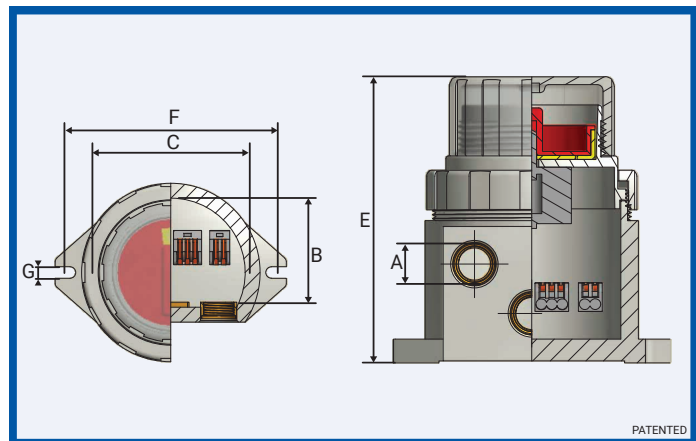
#### Installation instructions for Bottom Entry Switch Box

- Installation must be carried out by a competent person.
- The switch box must not be modified in any way, as this will invalidate the certification.
- Where cables enter the box they must be secured by IP rated CCG Cable Glands appropriate to the make up of the cable.
- To maintain IP66 a thread seal gasket between the box and cable gland must be installed.
- Before replacing the lid, ensure the lid gasket is in place.
- The use of a CCG Box Spanner (Lid Locking Key) is required to maintain the tamper proof integrity of the switch box, refer Figure 1.

#### Switch Box with Rail Mounted Terminals



#### Switch Box with Connectors



#### Switch Box with Rail Mounted Terminals

Product Code	Box Size Reference	Entry Thread 'A'	Internal Diameter 'B'	Distance Between Centres 'C'	Mounting Centres 'D'	Protrusion Length "E"	Base Mounting Centres "F"	Dimension "G"
065701A04P46P04B	20mm	M20 x 1.5	62.0	90.0	60.0	145.0	125.0	70.0

All dimensions are in mm.

#### Switch Box with Connectors

Product Code	Box Size Reference	Entry Thread 'A'	Internal Diameter 'B'	Distance Between Centres 'C'	Protrusion Length "E"	Base Mounting Centres "F"	Dimension "G"
065701C02F23N00B	20mm	M20 x 1.5	62.0	90.0	145.0	125.0	70.0

All dimensions are in mm.

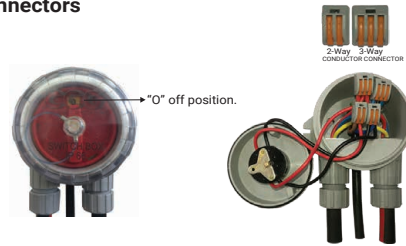


### 1A with terminals



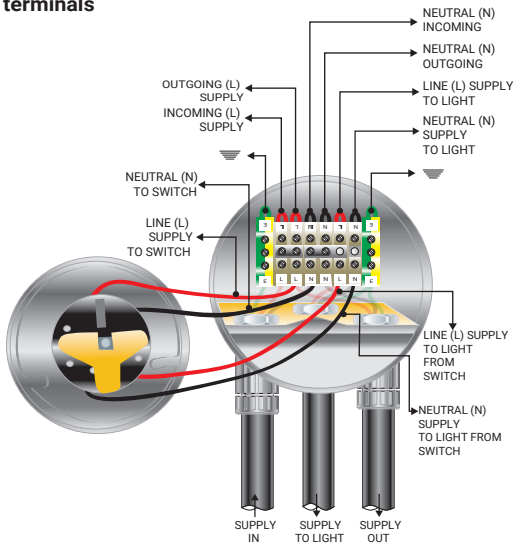
1. Unscrew the housing ring and remove the switch assembly.

### 1B with connectors



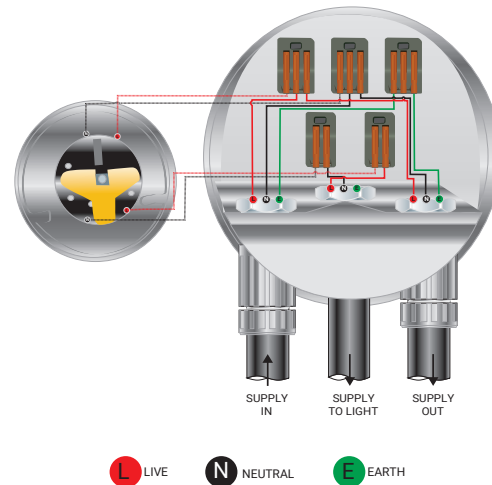
1. Unscrew the housing ring and remove the switch assembly.

### 2A with terminals



2. Use a terminal screw driver to connect the live and neutral fly leads to the base of the terminals as indicated above.

### 2B with connectors



2. Connect the live and neutral fly leads to the base of the conductor connectors as indicated above.

### 3



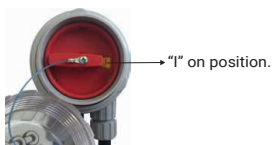
3. Replace the switch assembly, ensure that the off position "O" is on top.

### 4



4. Use a CCG Box Spanner to tighten the housing ring and ensure that the switch assembly remains in the vertical position.

### 5



5. Unscrew the dust protection cap and turn the switch to the on position "I".

### 6



6. Hand tighten the dust protection cap.

### 7



7. The switch is supplied with a lockout facility which can be utilized when switching off the supply to the load as indicated.