



90° FIXED ADAPTOR

Ex db, Ex eb, Ex tb, IP65/66/68

for General Industrial and Hazardous Area Installations

Features and Benefits

- Precision manufactured from high quality brass (Marine Grade Electroless Nickel Plated™).
- Supplied with sealing gasket as standard.
- Available in Metric, NPT, BSPP, and BSPT thread forms (male and female threads).

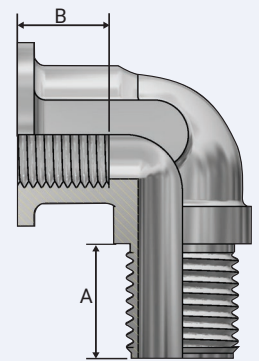


Technical Data

| | |
|-----------------|---|
| Type: | 90° Fixed Adaptor |
| Material: | |
| Adaptor: | Brass (Marine Grade Electroless Nickel Plated™) |
| Sealing Gasket: | Standard HDPE or Extreme Temp. PTFE |
| Note: | The installer should ensure that the materials are suitable for the installation environment. |

Standards and Certifications

| | | |
|------------------------------|---|---|
| Equipment Protection Levels: | Ex db I Mb, Ex eb I Mb Ex db IIC Gb, Ex eb IIC Gb, Ex tb IIIC Db | |
| Operating temperature range: | -20°C to +95°C (HDPE sealing gasket) or -60°C to +160°C (PTFE sealing gasket) | |
| Conformance: | Standard: | Certificate: |
| IECEX | IEC 60079 Parts 0, 1, 7, 31 IEC 60079 Parts 0, 1, 7, 31 | IECEX CML16.0059U IECEX MSC 17.0005U |
| ATEX | EN 60079 Parts 0, 1, 7, 31 | CML 16ATEX1137U |
| INMETRO | ABNT NBR IEC 60079- 0, 1, 7, 31 | TÜV 16.1856U |
| SANS | SANS/IEC 60079 Part 0, 1, 7, 31 | MASC MS/16-1806U |
| IP66/68 - Parallel | IEC 60529 | CML 15Y728 |
| IP65 - Tapered | | |
| Deluge Protection | DTS-01 | CML 14CA370-2 |



Conditions for Safe Use

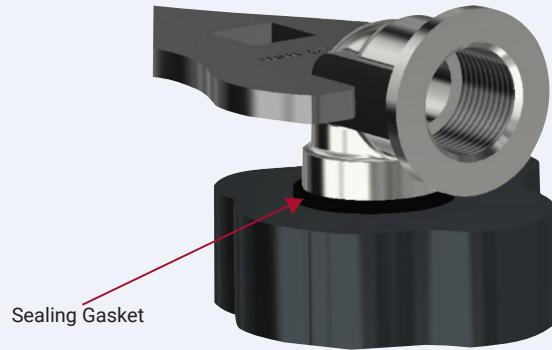
- The service temperature range of -20°C to +95°C (HDPE sealing gasket) or -60°C to +160°C (PTFE sealing gasket) must not be exceeded.
- All adaptors are rated IP65 for any sealing arrangement. If an IP rating of IP66/67/68 is required then the supplied sealing gasket shall be used.

| Product Code | Male Thread | | Female Thread | | Installation Torque Value Nm |
|--------------|-------------|--------------------|---------------|--------------------|------------------------------|
| | Type | Minimum Length 'A' | Type | Minimum Length 'B' | |
| FELBM20M20E | M20x1.5-6g | 17.0 | M20x1.5-6g | 16.0 | 21.0 |
| FELBM25M25E | M25x1.5-6g | 17.0 | M25x1.5-6g | 16.0 | 30.0 |
| FELBM32M32E | M32x1.5-6g | 17.0 | M32x1.5-6g | 16.0 | 42.0 |
| FELBM20N012E | M20x1.5-6g | 17.0 | ½" NPT | 16.0 | 21.0 |
| FELBM25N034E | M25x1.5-6g | 17.0 | ¾" NPT | 16.0 | 30.0 |
| FELBM32N001E | M32x1.5-6g | 17.0 | 1" NPT | 16.0 | 42.0 |
| FELBN012M20E | ½" NPT | 16.0 | M20x1.5-6g | 17.0 | 21.0 |
| FELBN034M20E | ¾" NPT | 16.0 | M20x1.5-6g | 17.0 | 30.0 |
| FELBN034M25E | ¾" NPT | 16.0 | M25x1.5-6g | 17.0 | 30.0 |
| FELBN001M32E | 1" NPT | 16.0 | M32x1.5-6g | 17.0 | 42.0 |

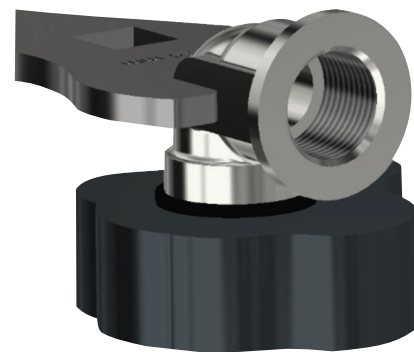
All dimensions except NPT are in mm. For other thread types, contact CCG.

90° FIXED ADAPTOR

1. Ensure that the threaded entry on the equipment has a flat, square surface to engage the sealing gasket. Tighten the adaptor, complete with sealing gasket, into the equipment using a spanner until it is fully secured, noting the maximum torque figures in the table overleaf.



2. If fitting to a clearance hole, secure the adaptor using a locknut. (Use a locknut and a serrated gasket in high vibration areas.)



3. Ensure the adaptor is securely positioned and hold the adaptor flats using a spanner whilst fitting a cable gland to the female thread.

