

# MULTI BOX

## JUNCTION BOX - IP66/68

for General Industrial and Mining Electrical Installations

### Features and Benefits

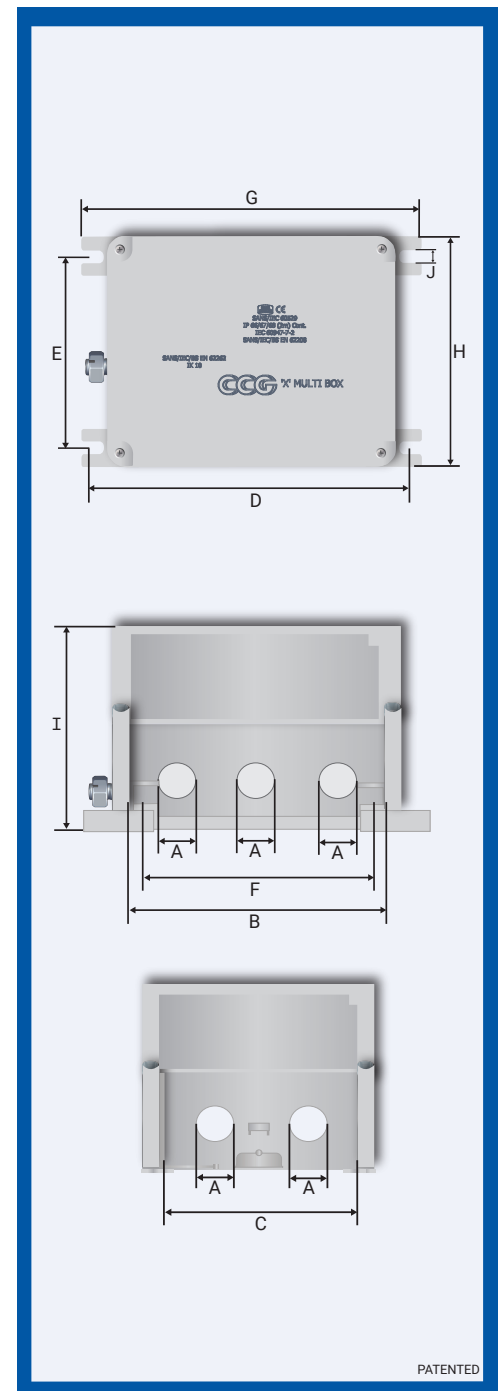
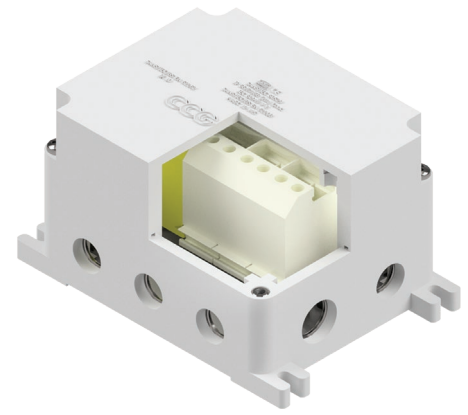
- Multi Box for use in industrial mining applications.
- High-temperature resistance, corrosion-resistant and anti-static properties.
- Raised lid facilitates connections to be made clear of the box base.
- A lid with captive screws provides ease of installation and a special key prevents unauthorized tampering.
- Supplied complete with safety securing lid lanyard.
- Only approved CCG cable glands must be used.
- DIN Rail mounting studs are provided for use with terminal blocks.
- Dust and watertight to IP66/68, when fitted with CCG sealed cable glands.
- No drilling of the cable entries required.
- Internal earthing to all entries and rail.

### Technical Data

Type:	Multi Box
Box Material:	Impact corrosion and UV resistant glass reinforced polyester compound. O ring seals: Silicone or Sarlink seals. Terminals: Wellamid or Wemidd
Optional Accessories:	Terminals. Blanking plugs are provided
Note:	The installer should check that the materials are suitable for the installation environment.

### Standards and Certifications

Service Temperature:	-60°C to +110°C	
Conformance:	Standard:	Certificate:
IEC/BS/EN	62208:2011	CML 17Y11251
SANS	62208:2012	MASC 16-1787
Impact Protection IK10	IEC/BS/EN 62262	CML 17Y11251
IP66/68 - 2m Protection	IEC/BS/EN 60529	CML 17Y11251
	SANS 60529	MASC 16-1787
Short Circuit Protection	IEC 60947-7-2, IEC 62444	CATAPULT OR/15/11677_2
Continuous Current Protection	IEC 60947-7-2	CATAPULT OR/15/11677_2
UV Protection	ISO 4892-2	
Zero Halogen	BS7211, BS 50267-2-1	TDW69-09-14
Flammability	UL94V-0	



### Conditions for safe use

- Terminal blocks shall only be used on the applicable rail and shall allow sufficient space to make connections and to close the cover / lid.
- The current in the Multi box is limited by the size of the conductor and shall not exceed the voltage as per Table 2.

Product Code	Entry Thread 'A' (Multiple Configurations)	Inside Dim 'B'	Inside Dim 'C'	Mounting Centres 'D'	Mounting Centres 'E'	Rail Mounting Centres 'F'	Overall Length 'G'	Overall Width 'H'	Overall Height 'I'	Mounting Groove Width 'J'
06580B	M16 to M32	144.0	111.0	176.0	110.0	126.0	196.0	132.0	109.0	7.0
06580C	M16 to M40	210.0	179.0	254.0	171.0	188.0	278.0	200.0	117.0	8.5

All dimensions are in mm.

CCG reserves the right to make alterations to the technical data, dimensions, designs and products available without notice. The illustrations cannot be considered binding. Please contact CCG for assistance.

MultiBox-JB270820

## Wiring and Installation instructions for Multi Box with components

- Installation must be carried out by a competent person.
- Do not install under live current conditions.
- The box must not be modified in any way, as this will invalidate the certification.
- All wiring must be carried out in accordance with the relevant Codes of Practice.
- The wiring insulation must not extend by more than 1.0mm from the metal face of the terminal as shown in Figure 1.
- The voltage and current value of the box must not be exceeded. See relevant certificate for current limitations for conditions of use/schedule of limitations.
- Only those terminals shown in the terminal schedule may be incorporated in the box, refer Table 1.
- Inner cable bedding must protrude into the box by a minimum of 20mm past the cable entry point.
- Not more than one single or multiple strand lead shall be connected into either side of the terminals.
- Only earth conductors of equal size shall be connected with rail mounted terminals.
- All terminal screws used and unused shall be tightened.
- A parallel shaft screwdriver of the correct size should be used for rail-mounted terminals screws.
- Where cables enter the box they must be secured by CCG Cable Glands appropriate to the makeup of the cable.
- Unused entry apertures must be blanked with certified CCG Blanking Plugs.
- To maintain IP66/68 a thread seal gasket between the box and cable gland must be installed.
- Before replacing the lid, ensure the lid gasket is in place.

**TABLE 1**

Box Type	Terminal Type and Size	Max Quantity	Rail Size
Multi Box B	2.5mm <sup>2</sup>	20.0	35.0
Multi Box B	4mm <sup>2</sup> mini terminal	14.0	15.0
Multi Box B	4mm <sup>2</sup>	16.0	35.0
Multi Box B	6mm <sup>2</sup>	12.0	35.0
Multi Box B	10mm <sup>2</sup>	12.0	35.0
Multi Box B	16mm <sup>2</sup>	10.0	35.0
Multi Box B	35mm <sup>2</sup>	6.0	35.0
Multi Box B	50mm <sup>2</sup>	6.0	35.0
Multi Box B	70mm <sup>2</sup>	5.0	35.0
Multi Box C	2.5mm <sup>2</sup>	46.0	35.0
Multi Box C	4mm <sup>2</sup> mini terminal	35.0	15.0
Multi Box C	4mm <sup>2</sup>	32.0	35.0
Multi Box C	6mm <sup>2</sup>	28.0	35.0
Multi Box C	10mm <sup>2</sup>	23.0	35.0
Multi Box C	16mm <sup>2</sup>	18.0	35.0
Multi Box C	35mm <sup>2</sup>	14.0	35.0
Multi Box C	50mm <sup>2</sup>	12.0	35.0
Multi Box C	70mm <sup>2</sup>	10.0	35.0
Multi Box C	95/120mm <sup>2</sup>	8.0	35.0

**TABLE 2**

### VOLTAGE PER TERMINAL CONFIGURATION

Terminals	Volt	Earth Terminals
AKZ 4	400V	AKE 4
WDU 2.5	800V	WPE 2.5
WDU 4	800V	WPE 4
WDU 6	800V	WPE 6
WDU 10	1000V	WPE 10
WDU 16	1000V	WPE 16
WDU 35	1000V	WPE 35
WDU 70 N	1000V	WPE 70 N

**FIGURE 1**

The wiring insulation must not extend by more than 1.0mm from the metal face of the terminal as shown below.

