

MULTI BOX

Ex eb I, Ex eb IIC, Ex ec IIC, Ex tc IIIC
for Hazardous Area Installations

Features and Benefits

- Multi Box for use in Group I mining (low impact areas), Group II and Group III applications.
- High-temperature resistance, corrosion resistant and anti-static properties.
- Raised lid facilitates connections to be made clear of the box base.
- A lid with captive screws provides ease of installation and a special key prevents unauthorized tampering.
- Supplied complete with safety securing lid lanyard.
- Only approved CCG cable glands and Ex e terminals must be used.
- DIN Rail mounting studs are provided for use with terminal blocks.
- Dust and watertight to IP66/68, when fitted with CCG sealed cable glands.
- No drilling of the cable entries required.
- Internal earthing to all entries and rail.

Technical Data

Type:	Multi Box
Box Material:	Impact corrosion and UV resistant glass reinforced polyester compound Polycarbonate (see-through adapt-a-lids) O ring seals: Silicone or Sarlink seals. Terminals: Wellamid or Wemidd
Optional Accessories:	Ex Certified Terminals. Blanking plugs are provided
Note:	The installer should check that the materials are suitable for the installation environment.

Standards and Certifications

Equipment Protection Levels:	IECEx: FINISHED: Ex eb I Mb / Ex eb IIC T6 Gb / Ex ec T6 Gc / Ex tb IIIC T70°C Db / Ex tc IIIC T70°C Dc
	IECEx: UNFINISHED: Ex eb I Mb / Ex eb IIC Gb / Ex ec Gc / Ex tb IIIC Db / Ex tc IIIC Dc
	ATEX: FINISHED: (Ex) I M2 / II 2 GD / II 3 GD Ex eb I Mb / Ex eb IIC T6 Gb / Ex ec IIC T6 Gc / Ex tb IIIC T70°C Db / Ex tc IIIC T70°C Dc
	ATEX: UNFINISHED: (Ex) I M2 / II 2 GD / II 3 GD Ex eb I Mb / Ex eb IIC Gb / Ex ec IIC Gc / Ex tb IIIC Db / Ex tc IIIC Dc

Ambient Temperature:	-60°C to +55°C (Finished)	
Service Temperature:	-60°C to +110°C (Unfinished)	
Conformance:	Standard:	Certificate:
IECEx	IEC 60079 Parts 0, 7, 31, IEC 60529	IECEx MSC 20.0003X (Finished)
	IEC 60079 Parts 0, 7, 31, IEC 60529	IECEx MSC 20.0004U (Unfinished)
ATEX	EN 60079 Parts 0, 7, 31	CML 14 ATEX 3036X (Finished)
	EN 60079 Parts 0, 7, 31	CML 14 ATEX 4038X (Finished)
	EN 60079 Parts 0, 7, 31	CML 14 ATEX 3037U (Unfinished)
	EN 60079 Parts 0, 7, 31	CML 14 ATEX 4039U (Unfinished)
SANS/IEC	SANS/IEC 60079 Parts 0, 7, 15	MASC S/10-216X (Finished)
	SANS/IEC 60079 Parts 31, SANS/IEC 60529	MASC S/10-216U (Unfinished)
IP66/68 2m Protection	IEC 60529	IECEx CML 15.0071U



Conditions for Safe Use - X

- In Group I applications, the junction box must only be used in low impact areas and where it is not exposed to oils or greases. Clean only with a damp cloth.
- Suitably certified cable glands and/or plugs shall be used in the enclosure threaded entries.
- Only the following terminals may be used, following the specific installation conditions set down by the terminal manufacturer / terminal certification.

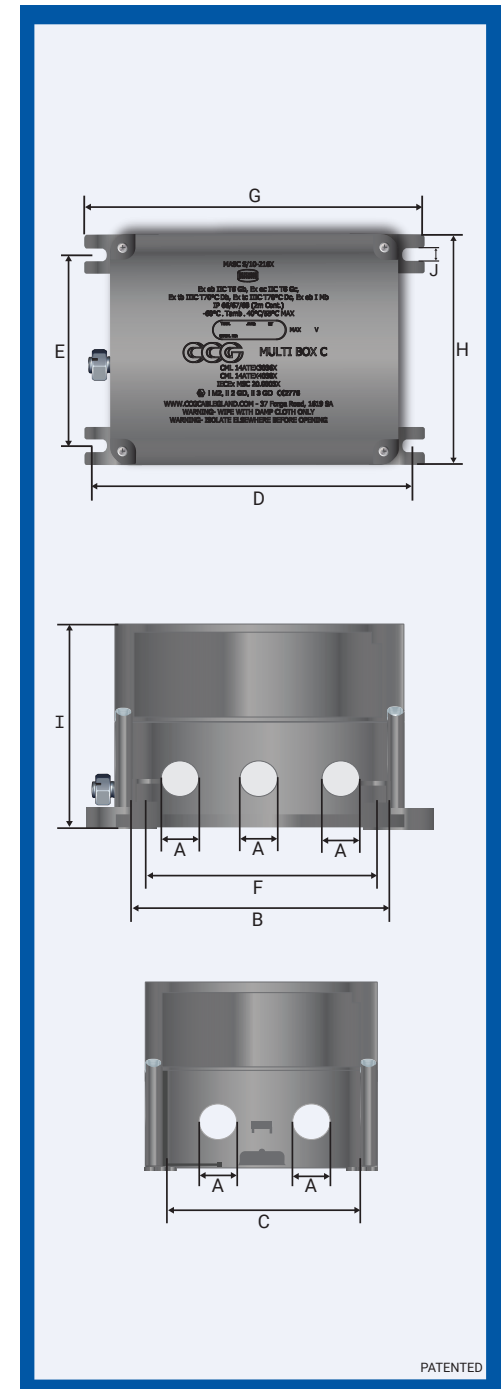
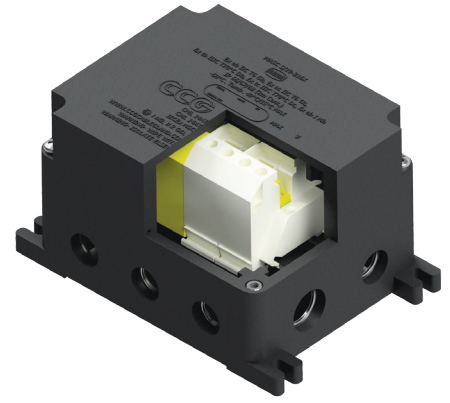
MFR	Certificate No.	Ex Coding	Type	Conductor / Terminal Block Size	Maximum Current	
					≤ 55°C Ambient	≤ 40°C Ambient
Weidmuller	IEC Ex ULD14.0005U Demko 14ATEX1338U	Ex eb IIC	WDU 2.5, 4, 6, 10, 16, 35 and 70N WPE 2.5, 4, 6, 10, 16, 35 and 70N	2.5mm ²	8.34	11.90 A
				4mm ²	11.12 A	15.86 A
				6mm ²	14.25 A	20.33 A
				6mm ²	19.81 A	28.26 A
				10mm ²	26.42 A	37.68 A
				16mm ²	42.46 A	61.98 A
				35mm ²	52.50 A	74.88 A
70mm ²	66.75 A	95.21 A				
Weidmuller	IECEx TUR18.0024U / TÜV18 ATEX8221U	Ex eb IIC	AKZ4 and AKE4	4mm ²	-	-

- Terminal blocks shall only be used on the applicable rail and shall allow sufficient space to make connections and to close the cover / lid.
- The creepage and clearance between terminal blocks and from the terminal block to any earthed / bonded metallic part shall comply with the EN60079-7 requirements for the acceptable voltage of the terminal blocks.
- The current in the Multi box is limited by the size of the conductor and shall not exceed the voltage as per Table 2.

Product Code	Entry Thread 'A' (Multiple Configurations)	Inside Dim 'B'	Inside Dim 'C'	Mounting Centres 'D'	Mounting Centres 'E'	Rail Mounting Centres 'F'	Overall Length 'G'	Overall Width 'H'	Overall Height 'I'	Mounting Groove Width 'J'
10050B	M16 to M32	144.0	111.0	176.0	110.0	126.0	196.0	132.0	109.0	7.0
10050C	M16 to M40	210.0	179.0	254.0	171.0	188.0	278.0	200.0	117.0	8.5

All dimensions are in mm.

CCG reserves the right to make alterations to the technical data, dimensions, designs and products available without notice. The illustrations cannot be considered binding. Please contact CCG for assistance. MultiBoxEx-HB270820



PATENTED

MULTI BOX

Wiring and Installation instructions for Multi Box without components

- When fitted with any internal components the assembly must be re-certified and the cover re-marked accordingly.

Wiring and Installation instructions for Multi Box with components

- Installation must be carried out by a competent person.
- Do not install under live current conditions.
- The box must not be modified in any way, as this will invalidate the certification.
- All wiring must be carried out in accordance with the relevant Codes of Practice.
- The wiring insulation must not extend by more than 1.0mm from the metal face of the terminal as shown in Figure 1.
- The voltage and current value of the box must not be exceeded. See relevant certificate for current limitations for conditions of use/schedule of limitations.
- Only those terminals shown in the terminal schedule may be incorporated in the box, refer Table 1.
- Inner cable bedding must protrude into the box by a minimum of 20mm past the cable entry point.
- Not more than one single or multiple strand lead shall be connected into either side of the terminals.
- Only earth conductors of equal size shall be connected with rail mounted terminals.
- All terminal screws used and unused shall be tightened.
- A parallel shaft screwdriver of the correct size should be used for rail-mounted terminals screws.
- Where cables enter the box they must be secured by CCG Cable Glands appropriate to the makeup of the cable.
- Unused entry apertures must be blanked with certified CCG Blanking Plugs.
- To maintain IP66/68 a thread seal gasket between the box and cable gland must be installed.
- Before replacing the lid, ensure the lid gasket is in place.

TABLE 1

Box Type	Terminal Type and Size	Max Quantity	Rail Size
Multi Box B	2.5mm ²	20.0	35.0
Multi Box B	4mm ² mini terminal	14.0	15.0
Multi Box B	4mm ²	16.0	35.0
Multi Box B	6mm ²	12.0	35.0
Multi Box B	10mm ²	12.0	35.0
Multi Box B	16mm ²	10.0	35.0
Multi Box B	35mm ²	6.0	35.0
Multi Box B	50mm ²	6.0	35.0
Multi Box B	70mm ²	5.0	35.0
Multi Box C	2.5mm ²	46.0	35.0
Multi Box C	4mm ² mini terminal	35.0	15.0
Multi Box C	4mm ²	32.0	35.0
Multi Box C	6mm ²	28.0	35.0
Multi Box C	10mm ²	23.0	35.0
Multi Box C	16mm ²	18.0	35.0
Multi Box C	35mm ²	14.0	35.0
Multi Box C	50mm ²	12.0	35.0
Multi Box C	70mm ²	10.0	35.0
Multi Box C	95/120mm ²	8.0	35.0

TABLE 2

VOLTAGE PER TERMINAL CONFIGURATION

Terminals	Volt	Earth Terminals
AKZ 4	275V	AKE 4
WDU 2.5	550V	WPE 2.5
WDU 4	550V	WPE 4
WDU 6	550V	WPE 6
WDU 10	550V	WPE 10
WDU 16	550V	WPE 16
WDU 35	550V	WPE 35
WDU 70 N	550V	WPE 70 N

FIGURE 1

The wiring insulation must not extend by more than 1.0mm from the metal face of the terminal as shown below.

